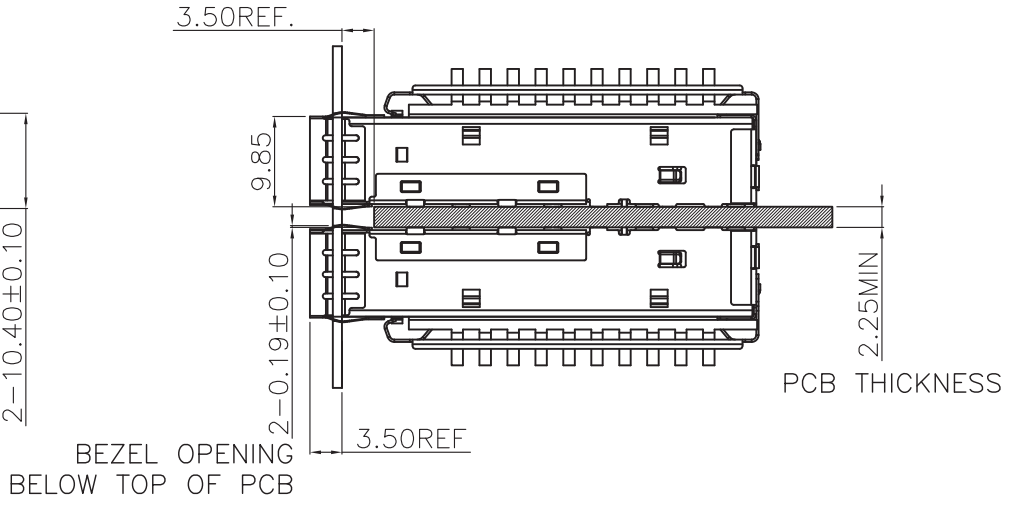
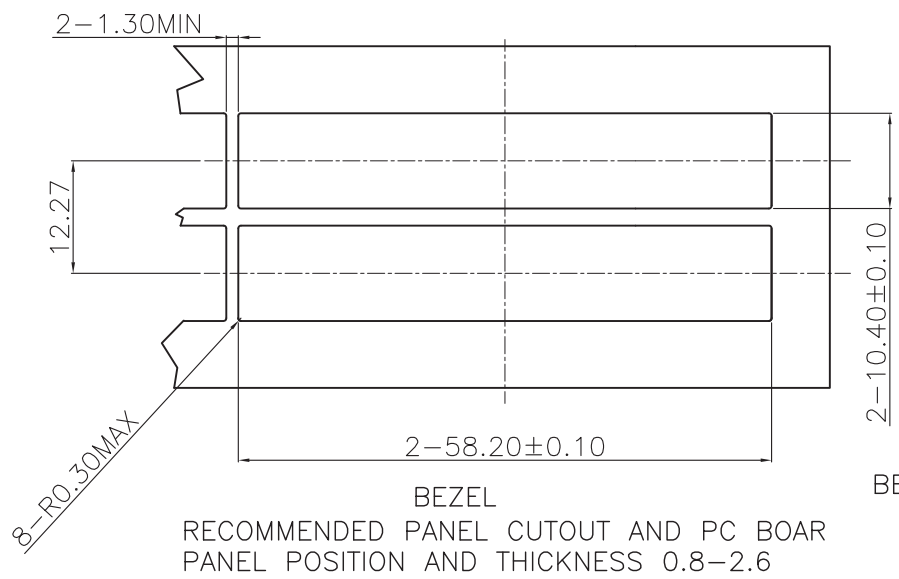
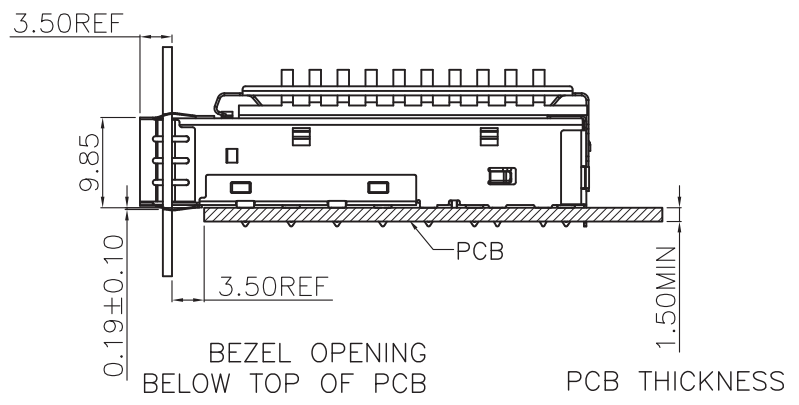
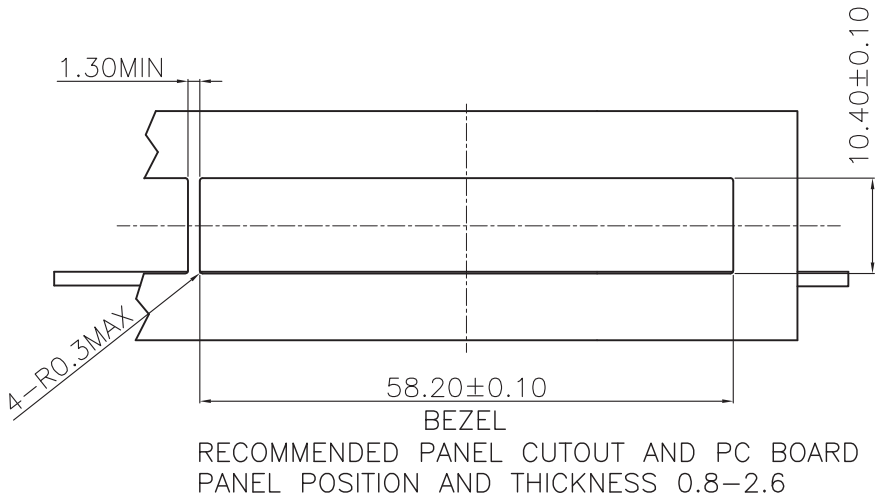


插入光模块
后高度16.0REF

NOTES:
1. CAGE: COPPER ALLOY
2. HEAT SINK: ALUMINUM
3. CLIP: STAINLESS STEEL.



A	TEL: +86 400 1048 018	WEB: WWW.WOHU-TEK.COM	TITLE: SFP+ CAGE 1*4 WITH HEAT SINK	SIZE A4	UNITS MM[INCH]	GENERAL TOLERANCES UNLESS SPECIFIED		APPROVED BY: Geoffrey.Song
			PART NO.: WH81-114-00008-1	SACLE 1:1	REV A0	$x \pm 0.35$	$x^\circ \pm 3.0^\circ$	CHECKED BY: Elvis.Song
			REMARK:	SHEET 1/4		$.xx \pm 0.25$	$.xx^\circ \pm 1.5^\circ$	DESIGND BY: Sunny.Xu
						$.xxx \pm 0.10$	$.xxx^\circ \pm 1.0^\circ$	



VOOHU 苏州沃虎电子科技有限公司
Su Zhou Voohu Electronic Tech.Co.Ltd

TITLE:
SFP+ CAGE 1*4 WITH HEAT SINK

SIZE
A4

UNITS
MM[INCH]

GENERAL TOLERANCES
UNLESS SPECIFIED

APPROVED BY:
Geoffrey.Song

PART NO.:
WH81-114-00008-1

SACLE
1:1

REV
A0

$x \pm 0.35$ $x^\circ \pm 3.0^\circ$
 $.x \pm 0.30$ $.x^\circ \pm 2.0^\circ$

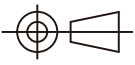
CHECKED BY:
Elvis.Song

TEL: +86 400 1048 018

WEB: WWW.WOHU-TEK.COM

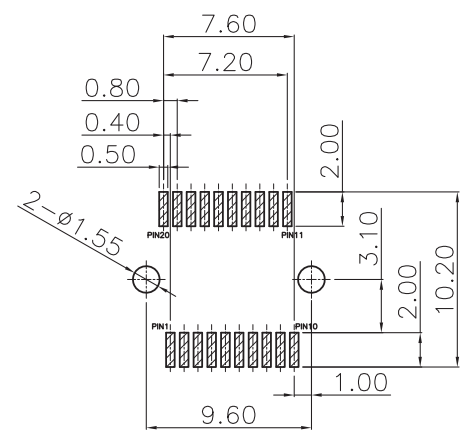
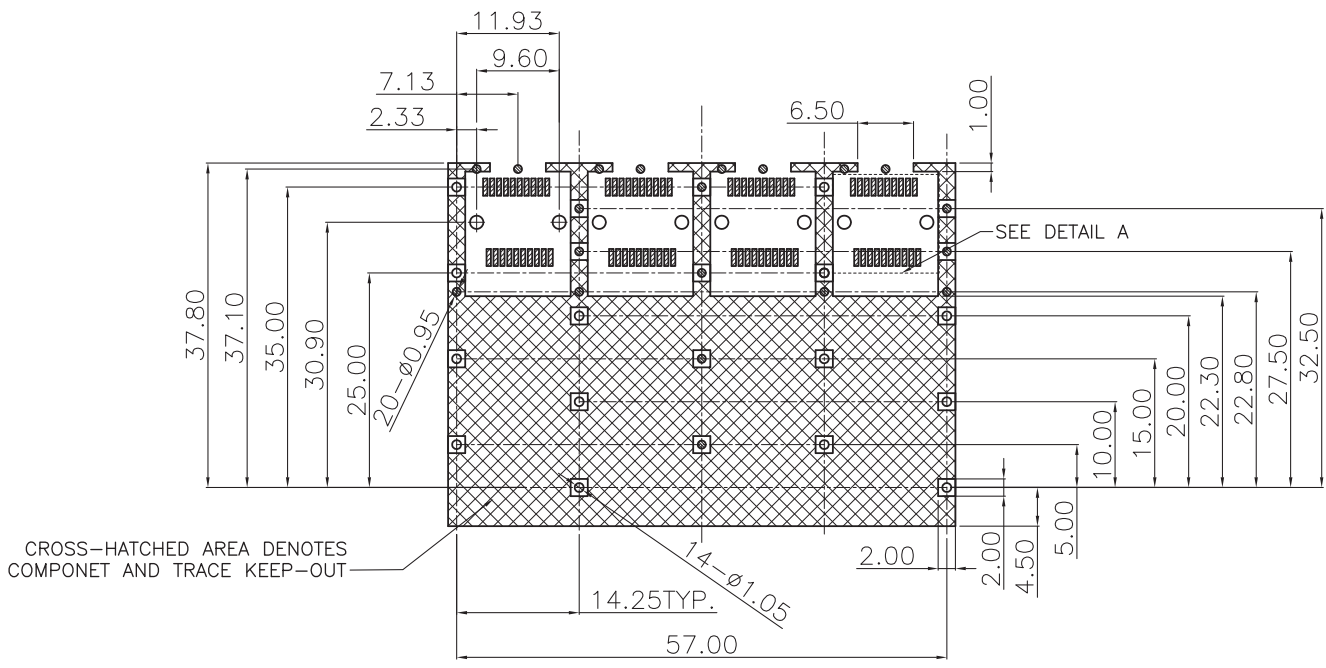
REMARK:

SHEET
2/4



$.xx \pm 0.25$ $.xx^\circ \pm 1.5^\circ$
 $.xxx \pm 0.10$ $.xxx^\circ \pm 1.0^\circ$

DESIGND BY:
Sunny.Xu



DETAIL A(SCALE 2:1)

RECOMMENDED PCB LAYOUT (COMPONENT SIDE)

RECOMMENDED MINIMUM PCB THICKNESS:1.50mm
(ALL TOLERANCES ARE ±0.05)

“回 □ ●” 圆孔均为通孔

RECOMMENDED PCB CONFIGURATION WITH KEEP-OUT
AREAS SINGLE SIDED APPLICATIONS

VOOHU 苏州沃虎电子科技有限公司
Su Zhou Voohu Electronic Tech.Co.Ltd

TITLE:
SFP+ CAGE 1*4 WITH HEAT SINK

SIZE
A4

UNITS
MM[INCH]

GENERAL TOLERANCES
UNLESS SPECIFIED

APPROVED BY:
Geoffrey.Song

PART NO.:
WH81-114-00008-1

SACLE
1:1

REV
A0

$x \pm 0.35$	$x^\circ \pm 3.0^\circ$
$.x \pm 0.30$	$.x^\circ \pm 2.0^\circ$

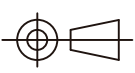
CHECKED BY:
Elvis.Song

TEL: +86 400 1048 018

WEB: WWW.WOHU-TEK.COM

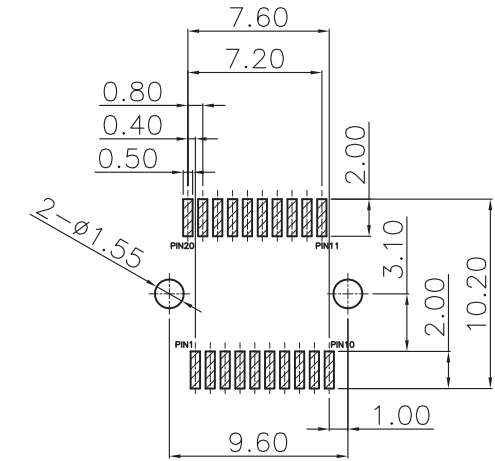
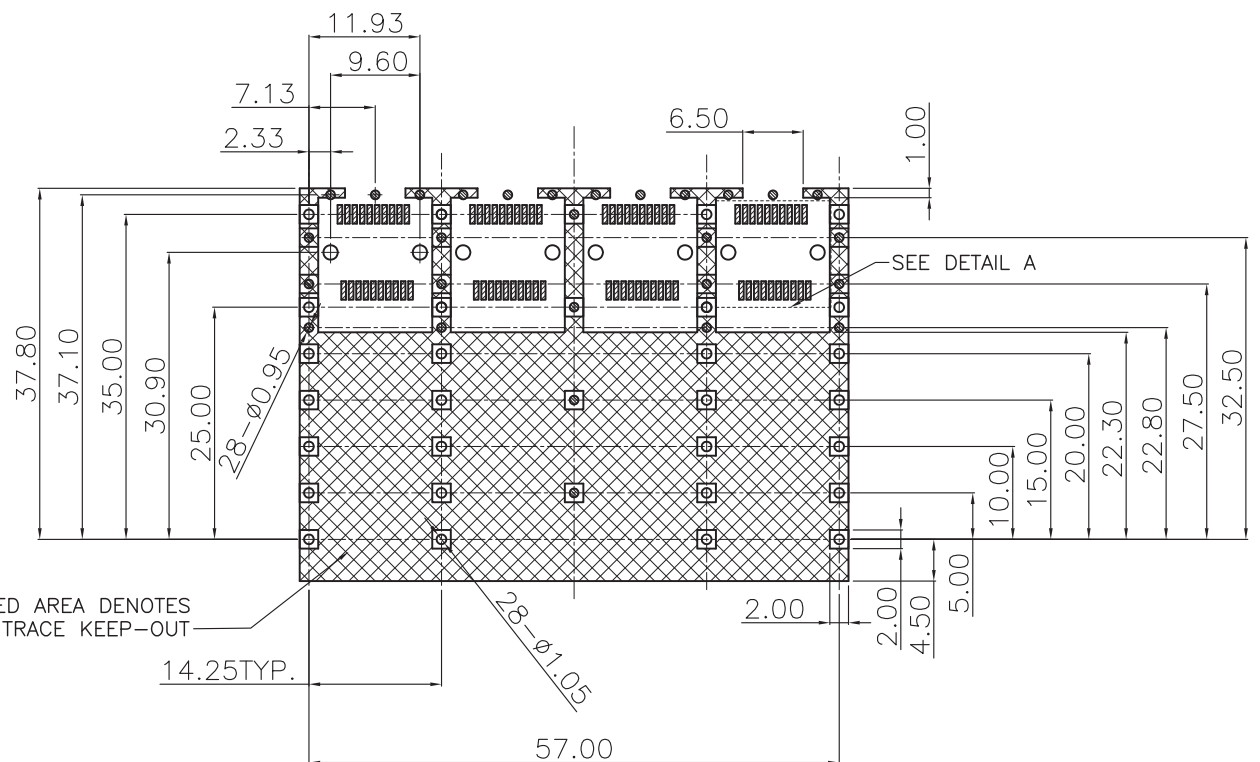
REMARK:

SHEET
3/4



$.xx \pm 0.25$	$.xx^\circ \pm 1.5^\circ$
$.xxx \pm 0.10$	$.xxx^\circ \pm 1.0^\circ$

DESIGND BY:
Sunny.Xu



CROSS-HATCHED AREA DENOTES
COMPONENT AND TRACE KEEP-OUT

RECOMMENDED PCB LAYOUT (COMPONENT SIDE)

RECOMMENDED MINIMUM PCB THICKNESS: 2.25mm
(ALL TOLERANCES ARE ±0.05)

“□ □ ●” 圆孔均为通孔

RECOMMENDED PCB CONFIGURATION WITH
KEEP-OUT AREAS BELLY TO BELLY APPLICATIONS

VOOHU 苏州沃虎电子科技有限公司
Su Zhou Voohu Electronic Tech.Co.Ltd

TITLE:
SFP+ CAGE 1*4 WITH HEAT SINK

SIZE
A4
UNITS
MM[INCH]

GENERAL TOLERANCES
UNLESS SPECIFIED

APPROVED BY:
Geoffrey.Song

PART NO.:
WH81-114-00008-1

SACLE
1:1
REV
A0

$x \pm 0.35$	$x^\circ \pm 3.0^\circ$
$.x \pm 0.30$	$.x^\circ \pm 2.0^\circ$

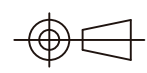
CHECKED BY:
Elvis.Song

TEL: +86 400 1048 018

WEB: WWW.WOHU-TEK.COM

REMARK:

SHEET
4/4



$.xx \pm 0.25$	$.xx^\circ \pm 1.5^\circ$
$.xxx \pm 0.10$	$.xxx^\circ \pm 1.0^\circ$

DESIGN BY:
Sunny.Xu