

SC02

NOTE:  
MATERIAL:

- CONTACT: PHOSPHOR BRONZE.
- CONNECTOR HOUSING: LCP UL 94V-0. COLOR: BLACK.
- MOULDED INSERT: HIGH TEMPERATURE PLASTIC UL 94V-0. COLOR:BLACK.
- CAGE: COPPER ALLOY.
- LIGHT PIPES: POLYCARBONATE. UL 94V-0. COLOR:CLEAR
- LIGHT PIPE HOUSING: PBT UL 94V-0 COLOR:BLACK.

PLATED:

- CONTACT MATING AREA : PLATING GOLD OVER 1.27 MICROMETERS MINIMUM NICKEL.

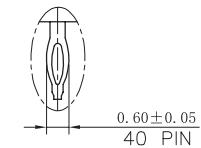
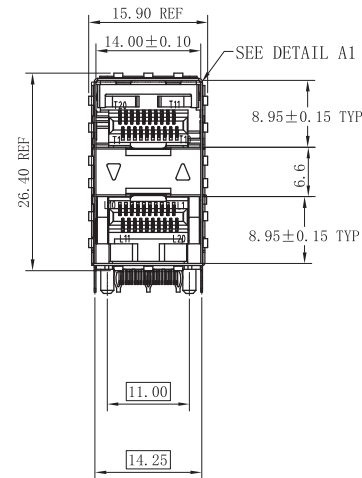
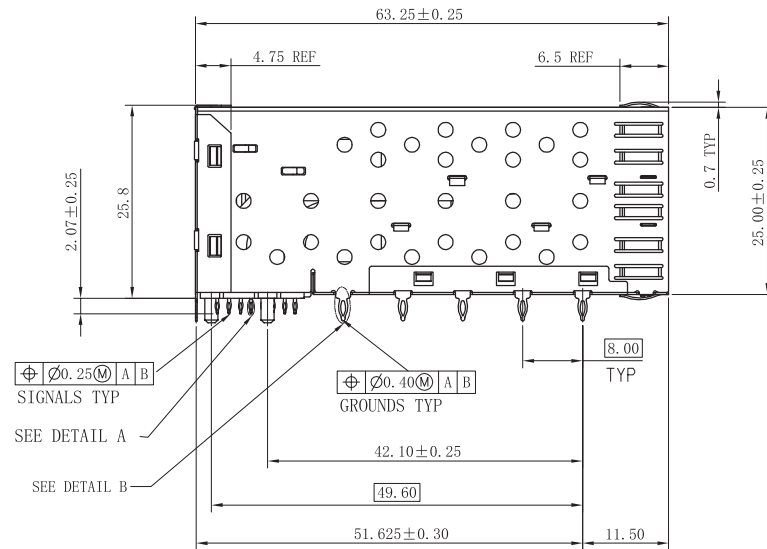
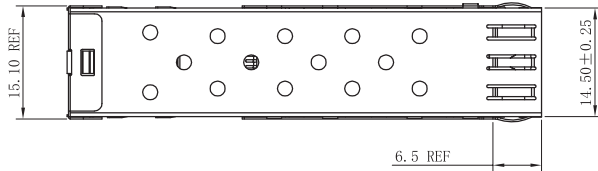
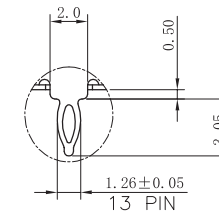
- CONTACT NEEDLE EYE: 2.54 MICROMETERS MINIMUM MATTE TIN OVER 1.27 MICROMETERS MINIMUM NICKEL.

MECHANICAL REQUIREMENT:

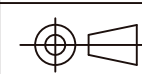
- DURABILITY: 100 CYCLES MIN.
- INSERTION AND EXTRACTION FORCE: 40N MAX & 11.5N MAX

ENVIRONMENTAL:

- LOW LEVEL CONTACT RESISTANCE(LLCR):  
 $\Delta R$  10 MILLIOHMS MAXIMUM FOR SHIELD AND SIGNAL CONTACTS.
- DIELECTRIC WITHSTANDING VOLTAGE: 300V AC/MAX.
- INSULATION RESISTANCE:  $1 \times 10^9$  OHMS MINIMUM.
- RATINGS CURRENT: 0.5 AMPS MAX.
- RATINGS VOLTAGE: 30 VOLTS DC/AC(RMS) MAX.
- OPERATION:  $-40^{\circ}\text{C} \sim +85^{\circ}\text{C}$ .
- STORAGE:  $-55^{\circ}\text{C} \sim +105^{\circ}\text{C}$ .
- ROHS COMPLIANT

DETAIL A  
SCALE 10:1DETAIL B  
SCALE 5:1

RoHS Compliant

TITLE:  
SFP 2X1 CONNECTORSIZE  
A4UNITS  
MM[INCH]GENERAL TOLERANCES  
UNLESS SPECIFIEDAPPROVED BY:  
Geoffrey.SongPART NO.:  
WHSFP05221D017SCALE  
1:1REV  
A0 $x \pm 0.35$   
 $.x \pm 0.30$  $x^{\circ} \pm 3.0^{\circ}$   
 $.x^{\circ} \pm 2.0^{\circ}$ CHECKED BY:  
Elvis.SongREMARK:  
gold plated 15u"SHEET  
1/3 $.xx \pm 0.25$   
 $.xxx \pm 0.10$  $.xx^{\circ} \pm 1.5^{\circ}$   
 $.xxx^{\circ} \pm 1.0^{\circ}$ DESIGND BY:  
Sunny.Xu
 苏州沃虎电子科技有限公司  
Su Zhou Voohu Electronic Tech.Co.Ltd

TEL: +86 400 1048 018

WEB: WWW.WOHU-TEK.COM

1

2

3

4

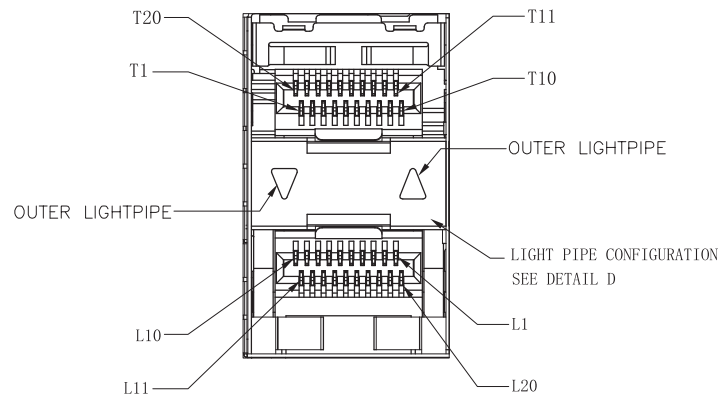
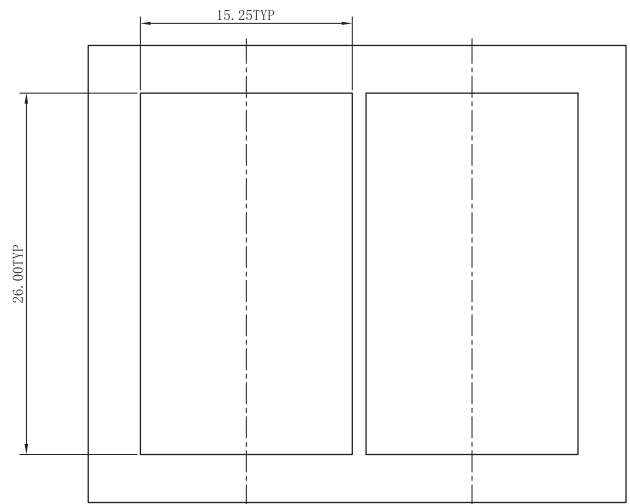
5

6

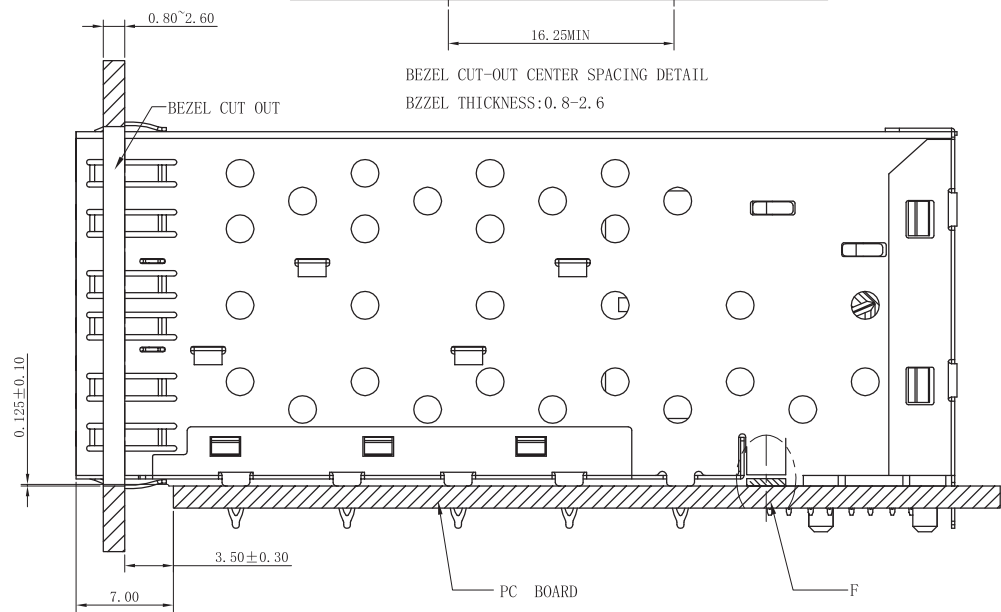
7

8

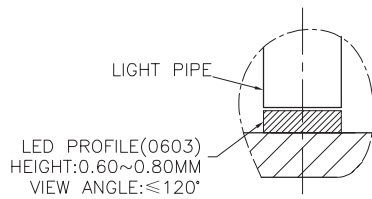
SC02



DETAIL A1  
SCALE 4:1



BEZEL CUT-OUT CENTER SPACING DETAIL  
BEZEL THICKNESS: 0.8-2.6



DETAIL F  
SCALE 4:1

RoHS Compliant



TITLE:  
SFP 2X1 CONNECTOR

SIZE  
A4

UNITS  
MM[INCH]

GENERAL TOLERANCES  
UNLESS SPECIFIED

APPROVED BY:  
Geoffrey.Song

PART NO.:  
WHSFP05221D017

SACLE  
1:1

REV  
A0

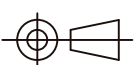
$x \pm 0.35$   
 $.x \pm 0.30$

$x^\circ \pm 3.0^\circ$   
 $.x^\circ \pm 2.0^\circ$

CHECKED BY:  
Elvis.Song

REMARK:  
gold plated 15u"

SHEET  
2/3



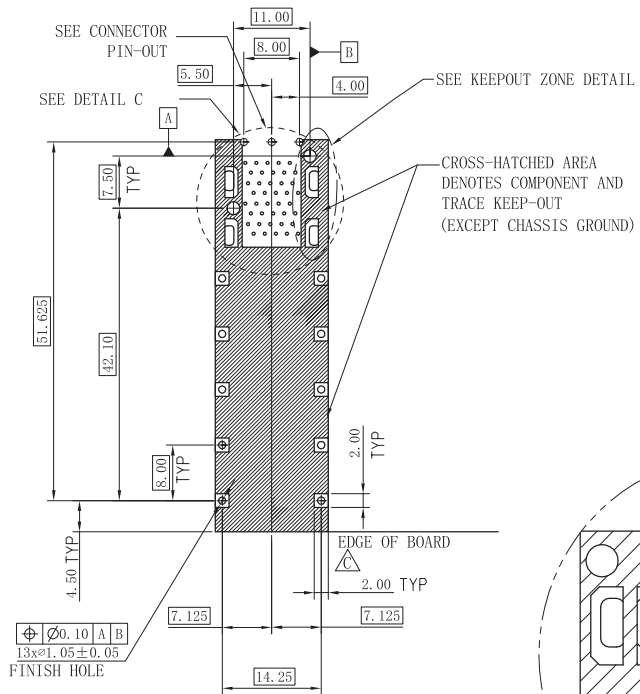
$.xx \pm 0.25$   
 $.xxx \pm 0.10$

$.xx^\circ \pm 1.5^\circ$   
 $.xxx^\circ \pm 1.0^\circ$

DESIGND BY:  
Sunny.Xu

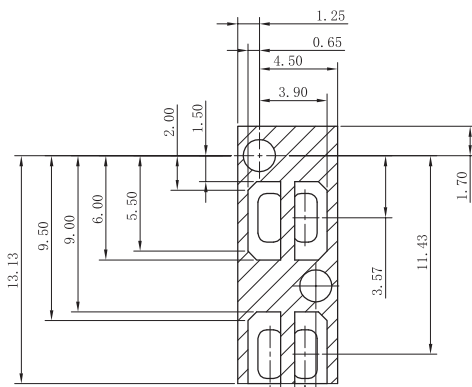
TEL: +86 400 1048 018

WEB: WWW.WOHU-TEK.COM

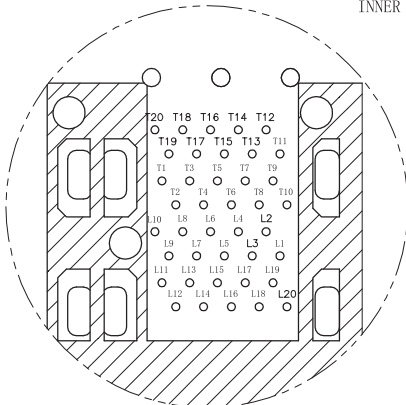


RECOMMENDED PCB LAYOUT-COMPONENT SIDE  
 RECOMMENDED PCB THICKNESS-2.63MM

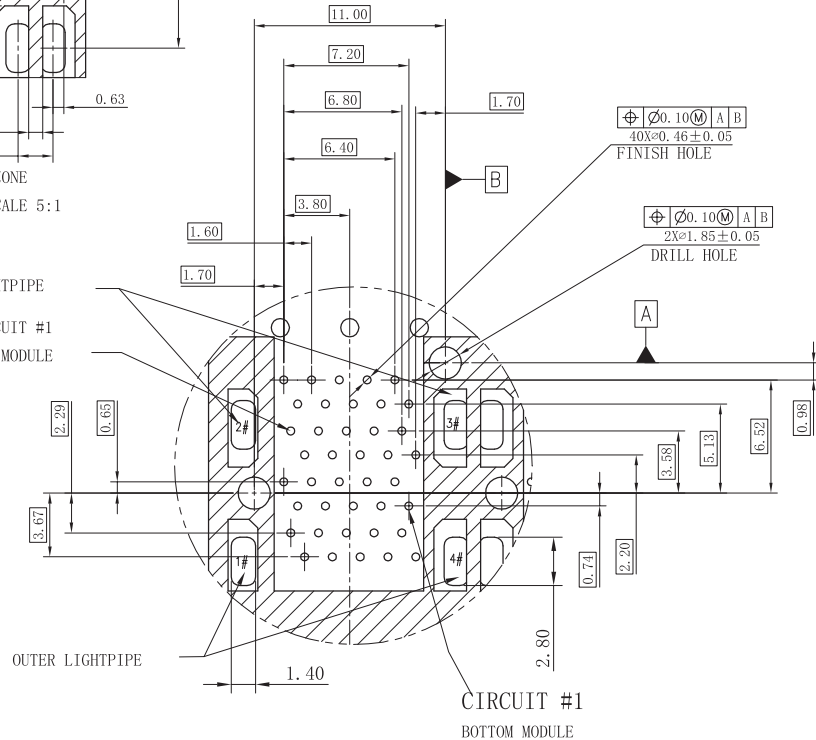
THE ENTIRE AREA OF THE CONNECTOR FOOTPRINT  
 TO BE CONSIDERED THE KEEP OUT AREA FOR COMPONENTS  
 (OTHER THAN LIGHT PIPE LED'S)  
 THIS AREA IS INDICATED BY THE DASHED LINE



KEEP-OUT ZONE  
 DETAIL SCALE 5:1



CONNECTOR PIN-OUT  
 COMPONENT SIDE OF BOARD



DETAIL C  
 SCALE 5:1

RoHS Compliant

**VOOHU** 苏州沃虎电子科技有限公司  
 Su Zhou Voohu Electronic Tech.Co.Ltd

TITLE:  
 SFP 2X1 CONNECTOR

PART NO.:  
 WHSFP05221D017

SIZE  
 A4

UNITS  
 MM[INCH]

SACLE  
 1:1

REV  
 A0

GENERAL TOLERANCES UNLESS SPECIFIED	
x±0.35	x°±3.0°
.x±0.30	.x°±2.0°
.xx±0.25	.xx°±1.5°
.xxx±0.10	.xxx°±1.0°

APPROVED BY:  
 Geoffrey.Song

CHECKED BY:  
 Elvis.Song

DESIGND BY:  
 Sunny.Xu

TEL: +86 400 1048 018      WEB: WWW.WOHU-TEK.COM

REMARK:  
 gold plated 15u"

SHEET  
 3/3